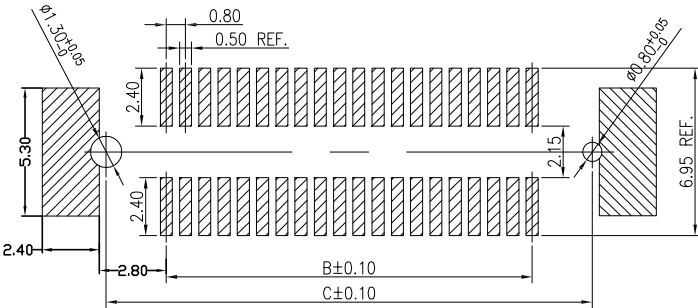
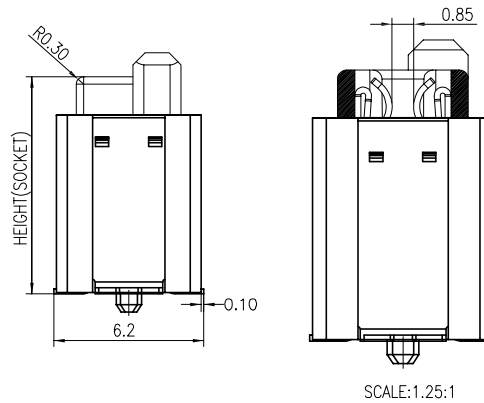
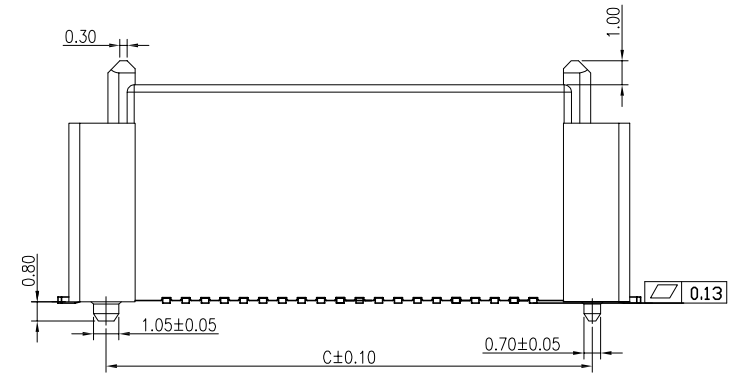
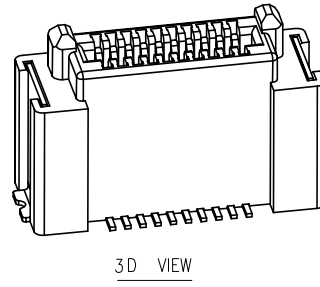
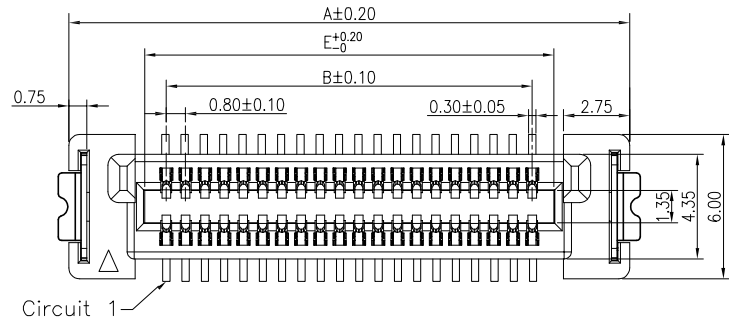


The product using material and processing must conform to the "WL-PZ-001" HSF technical standard control requirements

RoHS+HF

NOTE:

- 1.MATERIAL SPECIFICATION:
 - 1-1.HOUSING: LCP,UL94V-0
 - 1-2.CONTACTS: PHOSPHOR BRONZE
 - 1-3.SOLDER TABS: BRASS
 - 2.PLATING SPECIFICATION:
 - 2-1.CONTACTS: TIN/GOLD FLASH PLATED OVER ALL.
 - 2-2.SOLDER TABS: MATTE TIN PLATED OVER ALL.
 - 3.MECHANICAL PERFORMANCE:
 - 3-1.RETENTIVITY FORCE: 0.01KGF/Pin Min
 - 3-2.DURABILITY: 50 CYCLES.
 - 4.ELECTRICAL PERFORMANCE:
 - 4-1.CURRENT RATING: 0.5A AC/DC
RATED VOLTAGE : 100V AC/DC
 - 4-2.CONTACT RESISTANCE: 60 mΩ MAX
 - 4-3.INSULATION RESISTANCE: 500MΩ Min
 - 4-4.DIELECTRIC WITHSTANDING : 500V
 - 5.ENVIRONMENTAL PERFORMANCE:
 - 5-1.OPERATING TEMPERATURE: -25°C~+85°C.
 - 6.PACKAGE SPEC: REEL
 - 7.P/N: B0807 XX F 0-2 XX 2 X X X 02
- SERIES NO: _____
- HEIGHT(SOCKET):
40: 4.0mm
90: 9.0mm
- MALE FEMALE:
F-FEMALE
- ANGLE: _____
- ROW NO: _____
- HOUSING:
1-LCP
- COLOR:
A-BLACK
- PLATING:
N-G/F MATTE TIN
- TERMIPOINT:
2-SMT
- PIN Q'PY:
10~140



RECOMMENDED P.C.B LAYOUT(COMPONENT SIDE)

MATING HEIGHT	HEIGHT(PLUG)	HEIGHT(SOCKET)
5.0	4.5	4.0
8.0	7.5	4.0
10	4.5	9.0
13	7.5	9.0
15	9.5	9.0

Contacts	Dimensions(mm)				Contacts	Dimensions(mm)			
	A.	B.	C.	E.		A.	B.	C.	E.
10	11.3	3.2	8.2	4.9	70	35.3	27.2	32.2	28.9
20	15.3	7.2	12.2	8.9	80	39.3	31.2	36.2	32.9
30	19.3	11.2	16.2	12.9	100	47.3	39.2	44.2	40.9
40	23.3	15.2	20.2	16.9	120	55.3	47.2	52.2	48.9
50	27.3	19.2	24.2	20.9	140	63.3	55.2	60.2	56.9
60	31.3	23.2	28.2	24.9					

REV.	REVISION RECORD	DATE	GENERAL TOLERANCES	SCALE:	NAME	DATE	PART.NO:	DWG.NO:	TITLE:
AO	NEW RELEASE	22.10.28		LINEAR	1:1	Wang_jr			
			ANGLES		Han_Gao	22.10.28			
			0.0±0.35		LanXuan_Hou	22.10.28			
			X'REF±6'						
			0.00±0.25						
			X'±3'						
			0.000±0.10						
			X'X'±2'						
			UNIT:mm						
			SIZE: A4						



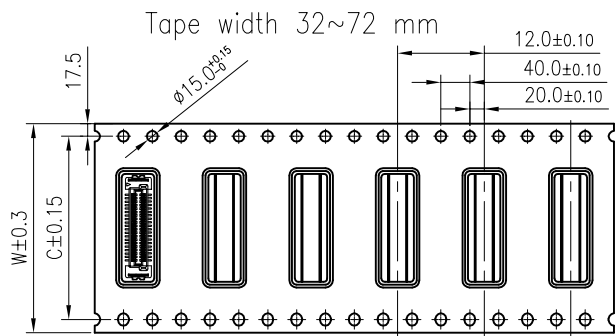
REV: A0 SHEET: 1/3

The product using material and processing must conform to the "WL-PZ-001"HSF technical standard control requirements

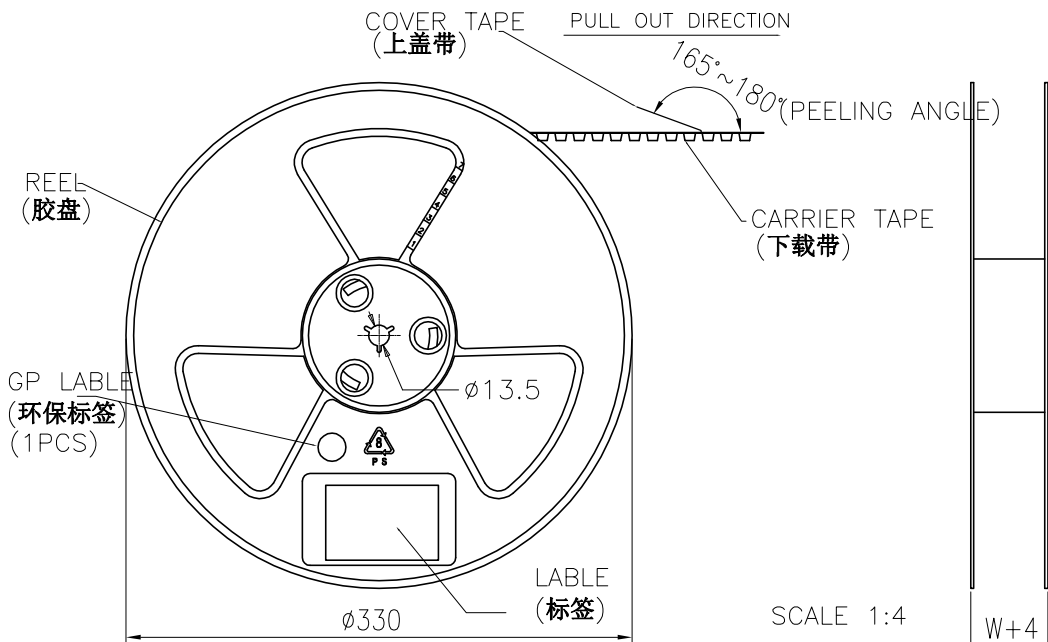
RoHS+HF

NOTE:

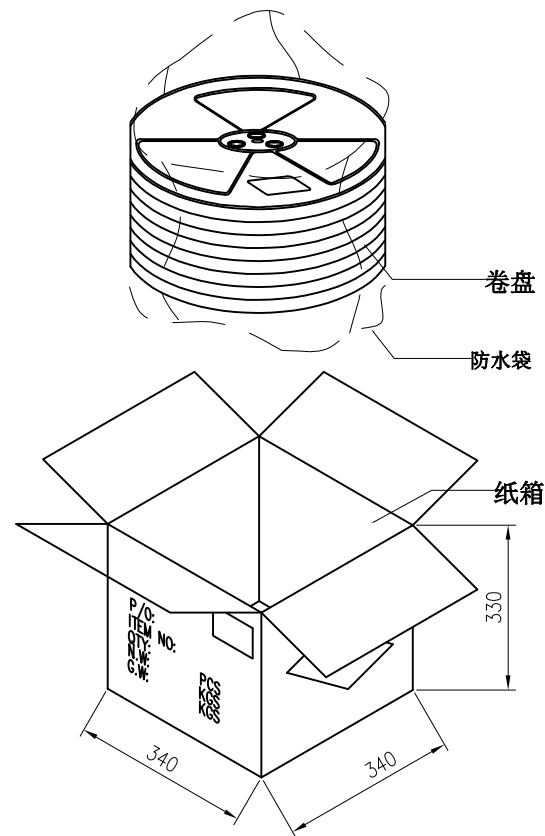
- 1.10 Sprocket hole pitch cumulative tolerance ± 0.20 .
- 2.Carrier camber is within 1mm in 100mm.
- 3.Material: white conductive polystyrene alloy.
- 4.Material Thickness: 0.40 ± 0.05 mm.



PULL OUT DIRECTION



PIN NO.	W	C	PCS /REEL	REEL/CARTON	SUM(PCS)
20PIN~30PIN	32	28.4	1000	8	8000
40PIN~50PIN	44	40.4	1000	6	6000
60PIN~80PIN	56	52.4	1000	5	5000
100PIN	72	68.4	1000	4	4000



REV.	REVISION RECORD	DATE	UNIT:mm	GENERAL TOLERANCES		SCALE:	NAME	DATE	PART.NO:	DWG.NO:	 WanLian Technology Co., Ltd
A0	NEW RELEASE	22.10.28		LINEAR	ANGLES	1:1	APPROVED	Wang_jr	22.10.28	B0807XXF0-2XX2XXX02	
			0.00±0.25	X'±3°	DESIGNER	Han_Gao	22.10.28	TITLE: 4.0H 母座 PACKAGE SPEC			REV: A0 SHEET: 2/3
			0.00±0.10	X'X' ±2°	DRAWN	LanXuan_Hou	22.10.28				

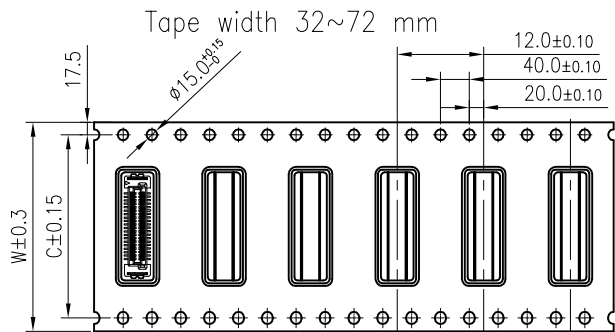
The product using material and processing must conform to the "WL-PZ-001" HSF technical standard control requirements

RoHS+HF

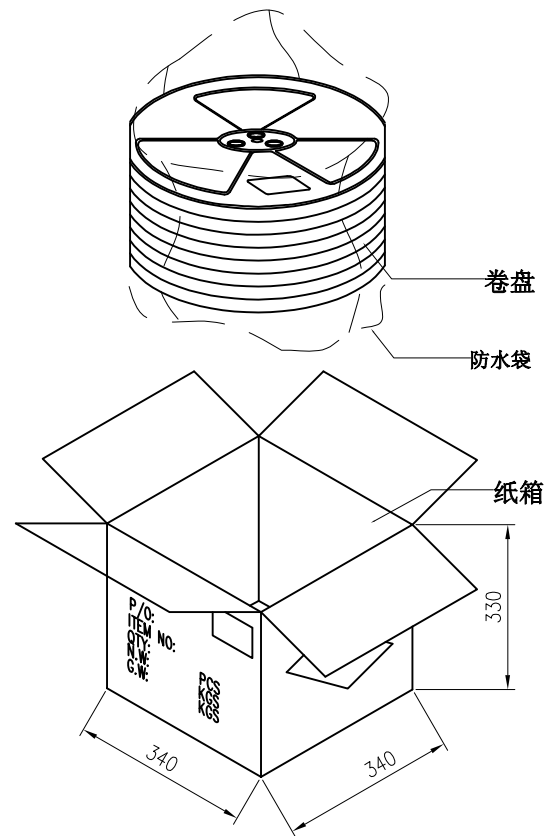
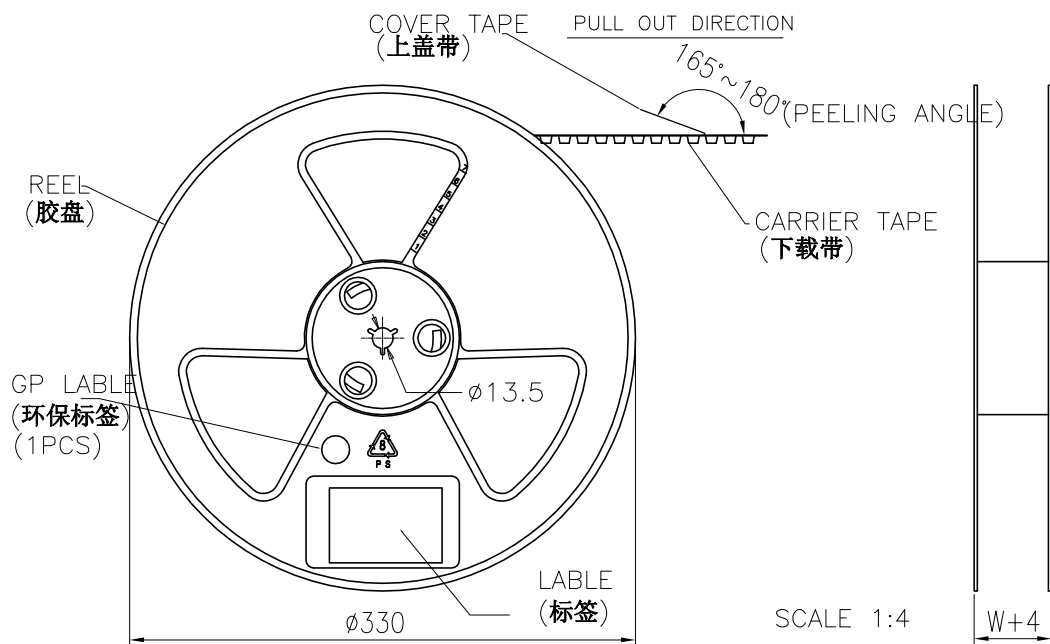
NOTE:

- 1.10 Sprocket hole pitch cumulative tolerance ± 0.20 .
2. Carrier camber is within 1mm in 100mm.
3. Material: white conductive polystyrene alloy.
4. Material Thickness: 0.40 ± 0.05 mm.

PIN NO.	W	C	PCS /REEL	REEL/CARTON	SUM(PCS)
20PIN~30PIN	32	28.4	500	8	4000
40PIN~50PIN	44	40.4	500	6	3000
60PIN~80PIN	56	52.4	500	5	2500
100PIN	72	68.4	500	4	2000



PULL OUT DIRECTION



REV.	REVISION RECORD	DATE	GENERAL TOLERANCES		SCALE:	NAME	DATE	PART.NO:	DWG.NO:	 WanLian Technology Co., Ltd
A0	NEW RELEASE	22.10.28	LINEAR	ANGLES	1:1	Wang_jr	22.10.28	B0807XXF0-2XX2XXX02	ENDE05	
			0.00±0.25	X'±3°		Han_Gao	22.10.28	TITLE: 9.0H 母座 PACKAGE SPEC		REV: A0 SHEET: 3/3
			0.00±0.10	X'X' ±2°		LanXuan_Hou	22.10.28			